

REQUEST FOR SWIMMING POOL CLEARANCE

Property owner information

Pool company information

Name:	Company name:
Address:	Contact:
Telephone:	Telephone:
Registered Plan #:	Approximate construction date:
Lot #:	Comments:
Date submitted:	
Signature:	Submission #:
Submitted requests will be completed within 5 business days of receipt unless otherwise notified by Alectra Utilities and provided to requestor via method requested. Each approval is valid for 6 months	Reviewed by:

Application checklist:

- Complete and sign Request for Swimming Pool Clearance Form (this form).
- Attach a **site plan** showing the
 - Proposed pool location with pool size
 - Location of associated equipment (pump, slide, buildings, etc.)
 - Dimensions from property lines to the edge of the pool.
- Submit this form and the site plan to RecordsEast.Info@alectrautilities.com

Alectra Utilities approval stamp below

Please complete this form and email to:

RecordsEast.Info@alectrautilities.com

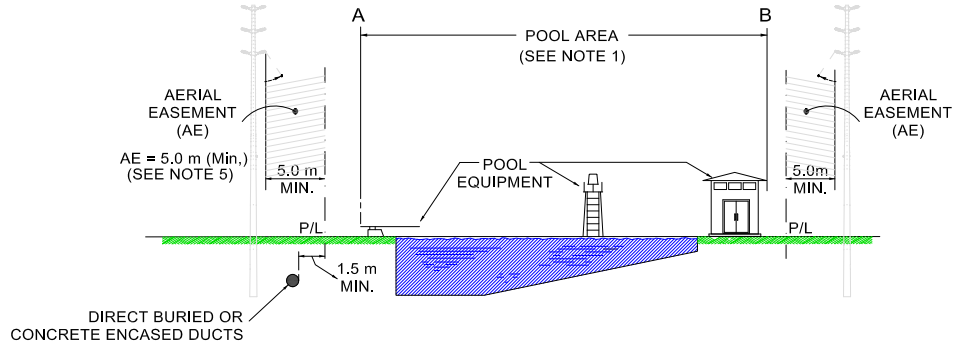


FIG. 1 - TYPICAL INSTALLATION WITH NEW POLE LINE

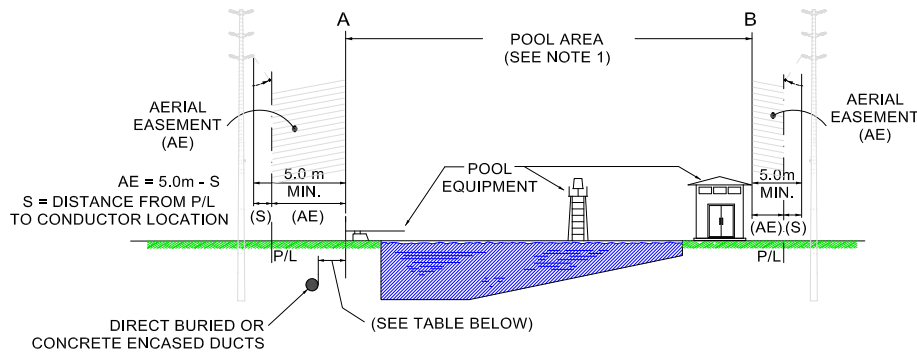
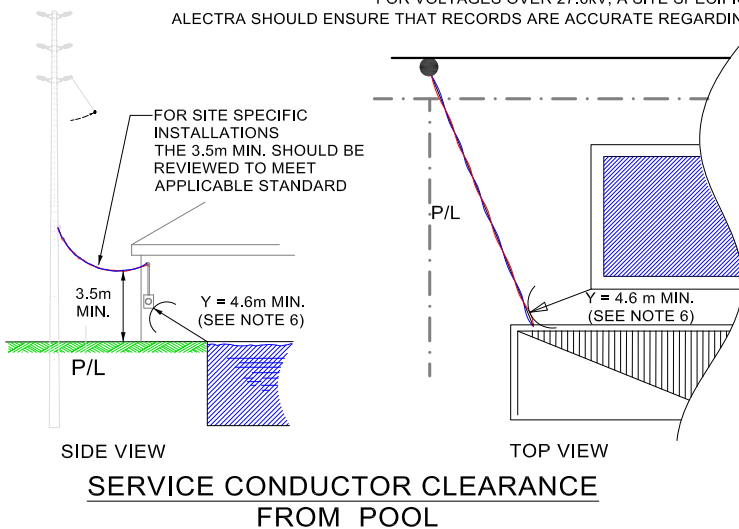


FIG. 2 - TYPICAL INSTALLATION WITH AN EXISTING POLE LINE

ALECTRA SYSTEM VOLTAGE	DIRECT BURIED UNJACKETED CONDUCTORS WITH BARE NEUTRAL OR SEMI-CONDUCTING JACKET	CONDUCTORS WITH A NON-CONDUCTING JACKET OR CONDUCTORS IN DUCTS
0 - 600 V	1.5 m	1.0 m
2.4/ 4.16 - 8.0/ 13.8 kV	3.0 m	1.5 m
16.0/ 27.6 kV	6.0 m	2.0 m

MINIMUM HORIZONTAL SEPARATION BETWEEN U/G BURIED CABLES AND POOL OR POOL EQUIPMENT

FOR VOLTAGES OVER 27.6kV, A SITE SPECIFIC ENGINEERING STUDY IS REQUIRED.
 ALECTRA SHOULD ENSURE THAT RECORDS ARE ACCURATE REGARDING THE TYPE OF CABLES INSTALLED (JACKETED/UNJACKETED).



NOTES:

1. UNDER NO CIRCUMSTANCES SHALL OVERHEAD OR UNDERGROUND DISTRIBUTION OR COMMUNICATION EQUIPMENT BE PLACED BETWEEN A AND B - REFERRED TO AS THE POOL AREA.
2. ALL NEW UNDERGROUND CONDUCTORS MUST BE INSTALLED IN PVC TYPE DB2/ES2 DUCTS.
3. THE HORIZONTAL SEPARATION BETWEEN THE OUTSIDE WALLS OF THE SWIMMING POOL AND THE OUTER EDGE OF THE DIRECT BURIED DUCT SHALL BE NOT LESS THAN THAT SHOWN IN THE TABLE.
4. THESE REQUIREMENTS APPLY TO BOTH IN-GROUND AND ABOVE GRADE POOLS.
5. IT SHOULD BE NOTED THAT TYPICAL POLE LINE CONSTRUCTION, REQUIRES A 5.0m MIN. AERIAL EASEMENT FROM THE CONDUCTOR LOCATION AT REST AND PROPERTY LINE. THIS REQUIREMENT ALREADY INCLUDES THE MAX SAG OF THE CONDUCTOR.
6. THIS DIMENSION APPLIES TO OUTSIDE EDGES OF THE POOL AND ANY FIXED POOL EQUIPMENT (ie, CABANA, DIVING BOARDS, SLIDES etc..)

CLEARANCES FROM SWIMMING POOLS

Construction Standard Certificate of Approval
 This construction Standard meets the safety requirements of Section 4 of Regulation 22/04
 Shereez Ali, P.Eng., PMP. 2021-DEC-23
 Name Date
 P.Eng. Approval By: *SA*